



30" Single and Double Built-in Oven
Models: FBOEL1365-30, FBOEL1358-30



Instruction Manual

Customer Care

Thank you for purchasing a FORNO product. Please read the entire instruction manual before operating your new appliance for the first time. Whether you are an occasional cook or an expert chef, it will be beneficial to familiarize yourself with the safety practices, features, operation and care recommendations of your cooking range. Both the model and serial number are listed in the front panel of the product. For warranty purposes, you will also need the date of purchase. Record this information below for future reference.

SERVICE INFORMATION

Model Number

Use these numbers in any correspondence or service calls concerning your product.

Serial Number

If you received a damaged product, immediately contact the dealer (or builder) that sold you the product.

Date of Purchase

Save time and money. Before you call for service, check the Troubleshooting Guide. It lists the causes of minor operating problems that you can correct yourself.

Purchase Address & Phone

Service in the United States & Canada:

Keep the instruction manual handy to answer your questions.

If you don't understand something or you need more assistance, please call our Customer Service: 1-866-231-8893

Or email: info@forno.ca

If your product ever requires servicing, be sure to use a FORNO Factory Certified Service provider recommended by our customer care center. All Factory Certified Service providers are carefully selected and thoroughly trained by us.

TABLE OF CONTENTS

OVEN SAFETY	1
INSTALLATION REQUIREMENTS	2
Tools and Parts.....	2
Location Requirements.....	3
Opening Dimensions.....	5
Electrical Requirements	6
INSTALLATION INSTRUCTIONS	8
Step 1 - Unpack the Oven	8
Step 2 - Remove the Oven Door.....	9
Step 3 - Install Oven	10
Step 4 - Make Electrical Connection	11
Step 5 - Mount the Oven	14
Step 6 - Replace the Door	14
Step 7 - Complete Installation.....	15

OVEN SAFETY

Your safety and the safety of others are very important.

We have provided many important safety messages in this manual and on your appliance. Always read and obey all safety messages.



This is the safety alert symbol.

This symbol alerts you to potential hazards that can kill or hurt you and others. All safety messages will follow the safety alert symbol and either the word "DANGER," "WARNING" or "CAUTION."

These words mean:

⚠ DANGER

An imminently hazardous situation. You could be killed or seriously injured if you don't immediately follow instructions.

⚠ WARNING

A potentially hazardous situation which, if not avoided, could result in death or serious bodily injury.

⚠ CAUTION

A potentially hazardous situation which, if not avoided, may result in moderate or minor injury.

All safety messages will tell you what the potential hazard is, tell you how to reduce the chance of injury, and tell you what can happen if the instructions are not followed.

State of California Proposition 65 Warnings:

WARNING: This product contains one or more chemicals known to the State of California to cause cancer.

WARNING: This product contains one or more chemicals known to the State of California to cause birth defects or other reproductive harm.

INSTALLATION REQUIREMENTS

TOOLS AND PARTS

Gather the required tools before starting installation. Read and follow the instructions provided with any tools listed here.

ALL INSTALLATIONS

Tools Needed:

- Measuring Tape
- Straightedge
- Pencil
- Phillips Screwdriver
- Level
- Wire Cutters and Wire Stripper
- Hand or Sabre Saw
- 1" Hole Saw
- Cordless Drill and Drill Bit
- Safety Gloves and Goggles
- Volt Meter (0-250VAC)

Parts Needed:

- UL Listed Conduit Connector
- UL Listed Wire Connectors

Parts Provided:

- #8-14 x 1" Screws - Single Ovens (2),
Double Ovens (4)

TECHNICAL DATA						
OVEN	DIMENSION	MODEL	Electrical Ratings and Maximum Connected Load			
			@ 240 Volts 60 Hz		@ 208 Volts 60 Hz	
Single Built-in Oven	30" (76 cm)	FOBEL135830	Amperes	Watts	Amperes	Watts
			20	4800	17.3	3605
Double Built-in Oven	30" (76 cm)	FOBEL136530	35.4	8500	30.7	6381

LOCATION REQUIREMENTS

IMPORTANT: Observe all governing codes and ordinances.

- Cabinet opening dimensions that are shown must be used. Given dimensions provide minimum clearance with oven.
- Recessed installation area must provide complete enclosure around the recessed portion of the oven.
- The oven support surface must be solid, level and flush with the bottom of the cabinet cutout.

The oven support surface must be able to support the weight of:

Single Oven: 130 lbs (59 kg) plus 30 lb (14 kg) food load

Double Oven: 230 lbs (105 kg) plus 60 lb (28 kg) food load

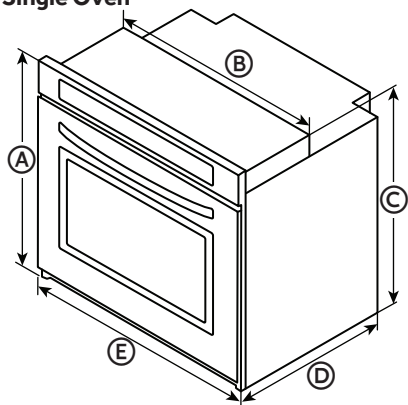
- Grounded electrical supply is required. See "Electrical Requirements" section.

NOTE: For undercounter installation, it is recommended that the junction box be located in the adjacent right or left cabinet.

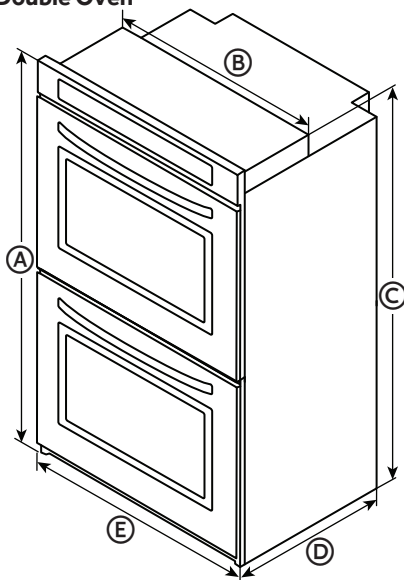
IMPORTANT: To avoid damage to your cabinets, check with your builder or cabinet supplier to make sure that the materials used will not discolor, delaminate or sustain other damage. This oven has been designed in accordance with the requirements of UL and CSA International and complies with the maximum allowable wood cabinet temperatures of 194°F (90°C).

PRODUCT DIMENSIONS

Single Oven



Double Oven

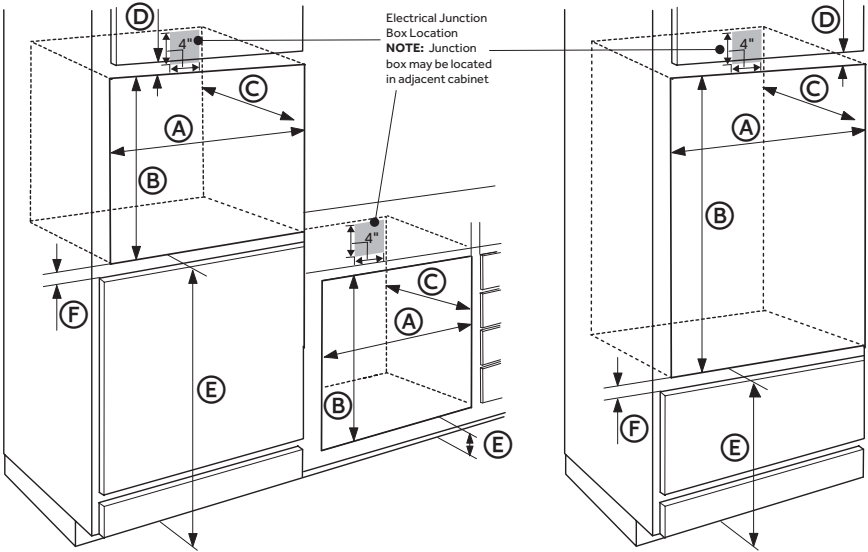


Letter	Single Oven Dimensions	Double Oven Dimensions
(A)	28 ⁷ / ₁₆ " (72.2 cm) Height (overall)	51 ³ / ₁₆ " (130.0 cm) Height (overall)
(B)	28 ¹ / ₂ " (72.4 cm) Width (recessed)	28 ¹ / ₂ " (72.4 cm) Width (recessed)
(C)	27 ³ / ₁₆ " (69 cm) Height (recessed)	49 ¹⁵ / ₁₆ " (126.8 cm) Height (recessed)
(D)	23 ¹ / ₂ " (59.7 cm) Depth (recessed)	23 ¹ / ₂ " (59.7 cm) Depth (recessed)
(E)	29 ⁷ / ₈ " (75.9 cm) Width (overall)	29 ⁷ / ₈ " (75.9 cm) Width (overall)

OPENING DIMENSIONS

Single Oven - Installed in Cabinet and Installed Undercounter

Double Oven - Installed in Cabinet



		Single Oven Undercounter w/o Cooktop	Single Oven in Cabinet	Double Oven in Cabinet
(A)	Width (cutout)	28 ⁵ / ₈ " (72.7 cm)	28 ⁵ / ₈ " (72.7 cm)	28 ⁵ / ₈ " (72.7 cm)
(B)	Height (cutout)	27 ¹ / ₂ " (70 cm)	27 ¹ / ₂ " (70 cm)	50 ¹ / ₄ " (127.6 cm)
(C)	Depth (cutout)	24" (61.0 cm)	24" (61.0 cm)	24" (61.0 cm)
(D)	Top of Cutout to Bottom of Upper Cabinet Door	N/A	1 ¹ / ₂ " (3.8 cm)	1 ¹ / ₂ " (3.8 cm)
(E)	Bottom of Cutout to Floor (recommended)*	5 ¹ / ₄ " (13.3 cm)	32" (81.3 cm)	14 ³ / ₄ " (37.5 cm)*
(F)	Bottom of Cutout to Top of Cabinet Door	N/A	1 ¹ / ₂ " (3.8 cm)	1 ¹ / ₂ " (3.8 cm)
(G)	Overlap of oven with sides of cutout	1 ¹ / ₁₆ " (1.7 cm)	1 ¹ / ₁₆ " (1.7 cm)	1 ¹ / ₁₆ " (1.7 cm)

* Bottom of Cutout to Floor (acceptable) 4" to 14³/₄" (10.2 cm to 37.5 cm)

ELECTRICAL REQUIREMENTS

If codes permit and a separate ground wire is used, it is recommended that a qualified electrical installer determine that the ground path is adequate and wire gauge is in accordance with local codes.

Do not use an extension cord.

In U.S.A. :

Be sure that the electrical connection and wire size are adequate and in conformance with the National Electrical Code, ANSI/ NFPA No. 70-latest edition and all local codes and ordinances.

A copy of the above code standards can be obtained from:

National Fire Protection Association
One Batterymarch Park
Quincy, MA 02269

In Canada:

Be sure that the electrical connection and wire size are adequate and in conformance with CSA standard C22.1, Canadian Electrical Code, Part 1 - latest edition, and all local codes and ordinances.

A copy of the above code standards can be obtained from:

Canadian Standards Association
178 Rexdale Blvd.
Toronto, ON M9W 1R3 CANADA.

⚠ WARNING



Electrical Shock Hazard

The electrical power to the oven branch circuit must be shut off while line connections are being made.

Do not use an extension cord with this appliance.

Electrical ground is required on this appliance. The free end of the green wire (the ground wire) must be connected to a suitable ground. This wire must remain grounded to the oven.

If cold water pipe is interrupted by plastic, non metallic gaskets, union connections or other insulating materials, DO NOT use for grounding.

DO NOT ground to a gas pipe.

DO NOT have a fuse in the NEUTRAL or GROUNDING circuit. A fuse in the NEUTRAL or GROUNDING circuit could result in an electrical shock.

Check with a qualified electrician if you are in doubt as to whether the appliance is properly grounded.

Failure to do so could result in death, fire or electric shock.

Electrical Connection

To properly install your oven, you must determine the type of electrical connection you will be using and follow the instructions provided for it here.

- Oven must be connected to the proper electrical voltage and frequency as specified on the model/serial number rating plate. The model/serial number rating plate is located under the control panel on single ovens and under the control panel on the upper oven cavity on double ovens. All models are dual rated, and designed to be connected to either 120/208V or 120/240V AC, 60Hz, 3-wire or 4-wire, single-phase power supply.

Style	Voltage and Frequency	Amps	Circuit Required
Single Oven	240V, 60 Hz	20.0A	25 Amp Circuit
	208V, 60 Hz	17.4A	20 Amp Circuit
Double Oven	240V, 60 Hz	35.4A	40 Amp Circuit
	208V, 60 Hz	30.7A	35 Amp Circuit

- Install a suitable conduit box (not furnished). An appropriately sized, UL conduit connector must be used to correctly attach the conduit to the junction box.

IMPORTANT: Local Codes may vary; installation electrical connections and grounding must comply with all applicable local codes.

If local codes permit grounding through the electrical supply neutral, connect both the white neutral wire and the green ground wire from the oven to the white neutral electrical supply wire.

- Check with a qualified electrical installer if you are not sure the oven is properly grounded.
- **Single Oven** - When a 4-wire, single phase 120/240 volt, 60 Hz., AC only electrical supply is available, a 25-amp maximum circuit protection is required (or, if specified on the model/serial rating plate, when a 4-wire, single phase 120/208 volt 60 Hz., AC only electrical supply is available, a 20-amp maximum circuit protection is required).
- **Double Oven** - When a 4-wire, single phase 120/240 volt, 60 Hz., AC only electrical supply is available, a 40-amp maximum circuit protection is required (or, if specified on the model/serial rating plate, when a 4-wire, single phase 120/208 volt 60 Hz., AC only electrical supply is available, a 35-amp maximum circuit protection is required).

INSTALLATION INSTRUCTIONS

IMPORTANT: This appliance shall be installed only by authorized persons and in accordance with the manufacturer's installation instructions, local gas fitting regulations, municipal building codes, electrical wiring regulations, local water supply regulations.

STEP 1 - UNPACK THE OVEN

WARNING

Excessive Weight Hazard

Use two or more people to move and install oven.

Failure to do so can result in back or other injury.

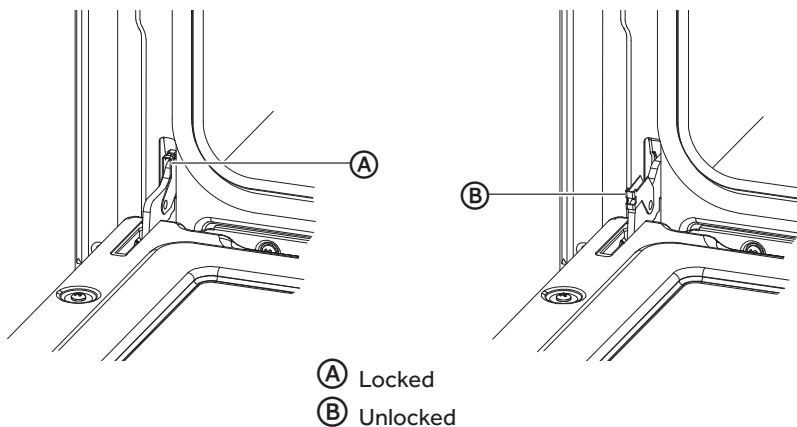
1. Using two or more people, remove the oven and set it on cardboard to avoid floor damage.

NOTE: Do not use the handle or any portion of the front frame for lifting.
2. Remove the shipping materials and tape from the oven.
3. Remove the hardware package from inside the bag containing literature.
4. Remove and set aside racks and other parts from inside the oven.
5. Move the oven on the cardboard near where it will be installed.

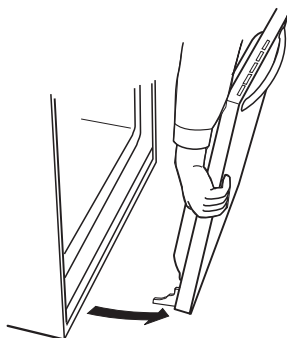
STEP 2 - REMOVE THE OVEN DOOR

IMPORTANT: The oven door is heavy and fragile, and the door front is glass. To avoid oven door glass breakage, use both hands, and grasp only the sides of the oven door to remove.

1. Open the oven door.
2. Locate the door latches in both corners of the oven door, and rotate the latches forward to the unlocked position.



3. Grasp the edges of the oven door with both hands and push the oven door fully closed. Lift up and pull oven door toward you to remove. Set the oven door(s) aside on a covered work surface.



STEP 3 - INSTALL OVEN

⚠ WARNING

Excessive Weight Hazard

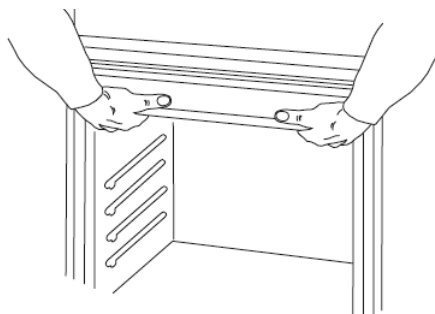
Use two or more people to move and install oven.

Failure to do so can result in back or other injury.

1. Using two or more people, grasp the ceiling of the oven cavity and lift the oven onto a table or platform even with the cutout opening.

NOTE: The surface must be able to support the following weight:

- Single Oven : 160 lb (73 kg)
- Double Oven: 290 lb (132 kg)



2. Feed the flexible electrical supply conduit from the oven to the junction box.

STEP 4 - MAKE ELECTRICAL CONNECTION

To properly install your oven, you must determine the type of electrical connection you will be using and follow the instructions provided for it here.

DIRECT WIRE

⚠ WARNING



Electrical Shock Hazard

Disconnect power before servicing.

Improper connection of aluminum house wiring and copper appliance leads can result in an electrical hazard or fire. If the home has aluminum wiring, only use connectors designed and UL listed for joining copper to aluminum and precisely follow the manufacturer's recommended procedure. Aluminum-to-Copper connections must conform with local codes.

For Single Oven, use 10 gauge copper or aluminum wire.

For Double Oven, use 8 gauge copper or aluminum wire.

Electrically ground oven.

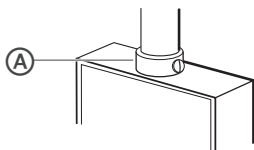
Failure to do so can result in death, fire or electrical shock.

Be sure your appliance is properly installed and grounded by a qualified technician. Ask your dealer to recommend a qualified technician or an authorized repair service.

This oven is manufactured with a neutral (white) power supply wire and a cabinet-connected green (or bare) ground wire twisted together.

After making sure that the power has been turned off, connect the flexible conduit from the oven to the junction box using a UL listed conduit connector. The Grounded Neutral and Ungrounded Neutral Graphics on the following pages and the instructions provided, present the most common way of connecting ovens. Your local codes and ordinances, of course, take precedence over these instructions. Complete electrical connections according to local codes and ordinances.

1. Disconnect power.
2. Remove junction box cover.
3. Install a UL listed or CSA approved conduit connector to the junction box.



Ⓐ UL or CSA Listed Conduit Connector

4. Route the flexible electrical supply conduit from the oven to the junction box through a UL listed or CSA approved conduit connector.
5. Tighten screws on conduit connector.

3-WIRE CONNECTION (GROUNDED NEUTRAL) - U.S.A. ONLY

⚠ WARNING



Electrical Shock Hazard

Grounding through the neutral conductor is prohibited for new branch-circuit installations (1996 NEC); mobile homes; and recreational vehicles, or in an area where local codes prohibit grounding through the neutral conductor. For installations where grounding through the neutral conductor is prohibited, see the Ungrounded Neutral graphic.

Use grounding terminal or lead to ground unit.

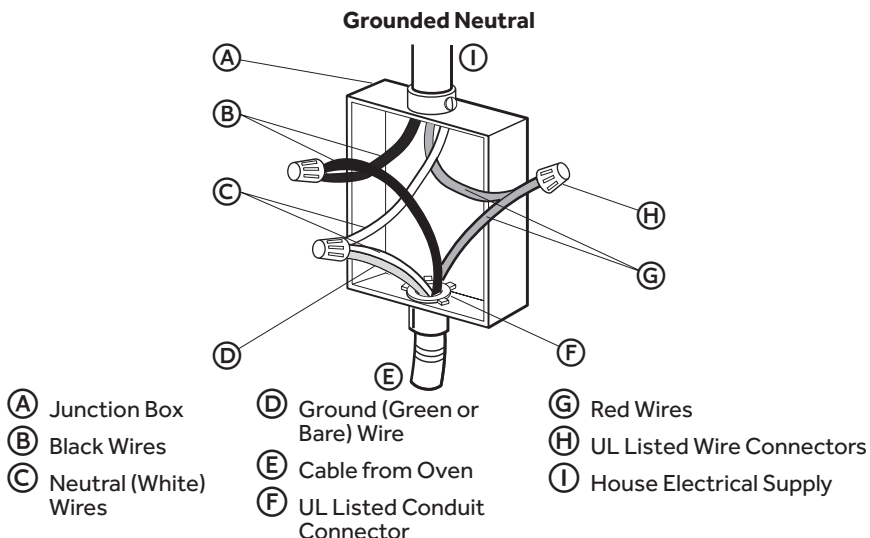
Connect neutral terminal or lead to branch circuit neutral in usual manner.

Failure to do so could result in death, fire or electric shock.

3-Wire Cable from Home Power Supply

IMPORTANT: Use the 3-wire cable from home power supply where local codes permit a 3-wire connection.

1. Disconnect power.



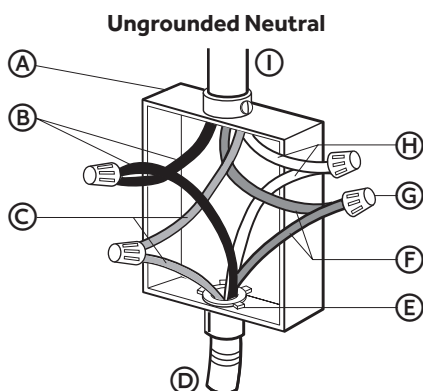
2. Connect the two black wires **(B)** together using a UL listed wire connector.
3. Connect the two neutral (white) wires **(C)** and the ground (green or bare) wire **(D)** (of the oven cable) using a UL listed wire connector.
4. Connect the two red wires **(G)** together using a UL listed wire connector.
5. Install junction box cover.

4-WIRE CONNECTION (UNGROUNDING NEUTRAL) - U.S.A. AND CANADA

4-Wire Cable from Home Power Supply

IMPORTANT: Use the 4-wire cable from home power supply in the U.S. where local codes do not allow grounding through neutral, New Branch circuit installations (1996 NEC), mobile homes and recreational vehicles, new construction and in Canada.

1. Disconnect power.



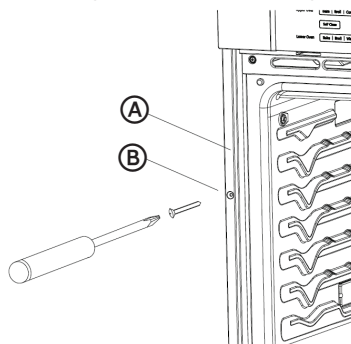
- | | | |
|----------------------------|--|-------------------------------------|
| (A) Junction Box | (E) UL listed or CSA Approved Conduit Connector | (G) UL Listed Wire Connector |
| (B) Black Wires | (F) Ground (Green or Bare) Wires | (H) Neutral (White) Wires |
| (C) Red Wires | | (I) House Electrical Supply |
| (D) Cable from Oven | | |

2. Connect the 2 black wires **(B)** together using a UL listed wire connector.
3. Connect the 2 red wires **(C)** together using a UL listed wire connector.
4. Untwist white wire from green (or bare) ground wire coming from the oven.
5. Connect the 2 neutral (white) wires **(H)** together using a UL listed wire connector.
6. Connect the ground (green or bare) wire **(F)** from the oven cable to the ground (green or bare) wire (in the junction box) using a UL listed wire connector.
7. Install junction box cover.

STEP 5 - MOUNT THE OVEN

1. Slide the oven completely into the cabinet until the back surface of the front frame touches the front wall of the cabinet. Center the oven within the cabinet cutout.

NOTE: Push against seal area of the oven front frame when pushing the oven into the cabinet. Do not push against the outside edges.



- (A) Mounting Frame
 (B) Mounting Frame Hole

2. There are two holes, one on each side of the front frame that surrounds the oven cavity. Drill $\frac{1}{8}$ " (3.18 mm) pilot holes through the holes, and into the front wall of the cabinet.

NOTE: The double oven has four mounting holes, two on each side.

3. Insert the # 8-14 x 1" screws (provided) through the pilot holes to securely fasten the oven to the cabinet. Do not overtighten screws.
4. Replace the oven racks.
5. Reconnect power to the oven.

STEP 6 - REPLACE THE DOOR

IMPORTANT: The oven door is heavy and fragile, and the door front is glass. To avoid oven door glass breakage, use both hands, and grasp only the sides of the oven door to remove.

1. Verify that the door hinge latches are forward, and then insert the oven door hinges into the openings.
2. Lower the oven door to engage the hinges.
3. Press the hinge latches down to lock.

STEP 7 - COMPLETE INSTALLATION

1. Check that all parts are now installed. If there is an extra part, go back through the steps to see which step was skipped.
2. Dispose of/recycle all packaging materials.
3. Check Operation of Oven.
 - Turn on power.
 - Press BROIL.
 - Set the temperature.
 - Press START.

NOTE: If oven(s) does not operate, check the following:

- Household fuse is intact and tight; or circuit breaker has not tripped.
 - Electrical supply is connected.
 - See "Troubleshooting" section in the User Manual.
4. When oven has been on for 5 minutes, feel for heat. If you do not feel heat or if an error message appears in the display, turn off the oven and contact a qualified technician.
 5. Press CANCEL to turn off the oven.

IMPORTANT: For oven use and cleaning, read the User Manual.